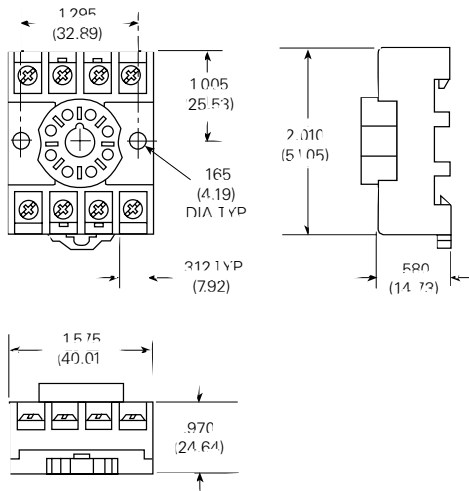


**Sockets For KRP, KRPA Series Relays**

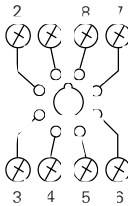
The following sockets are normally maintained in stock for immediate delivery.

**Screw Terminal, DIN Rail Snap-Mount Sockets**  
(Use with mounting track 24A110)

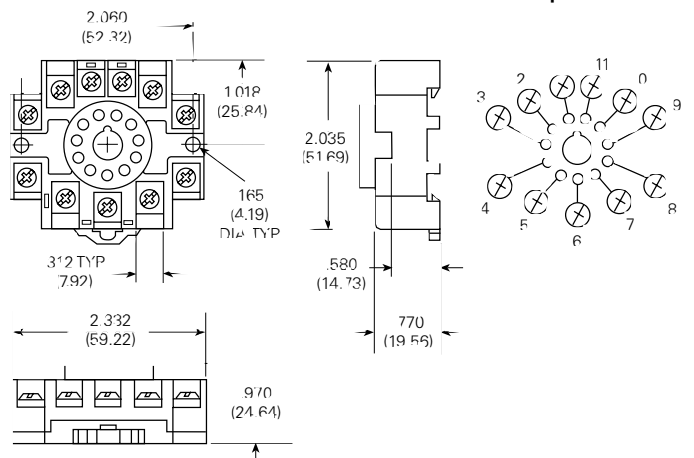
**27E891**  
**10A, 300VAC**



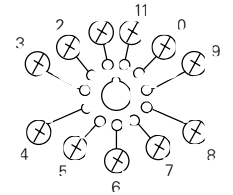
**Terminal Location**  
**Top View**



**27E892**  
**10A, 300VAC**



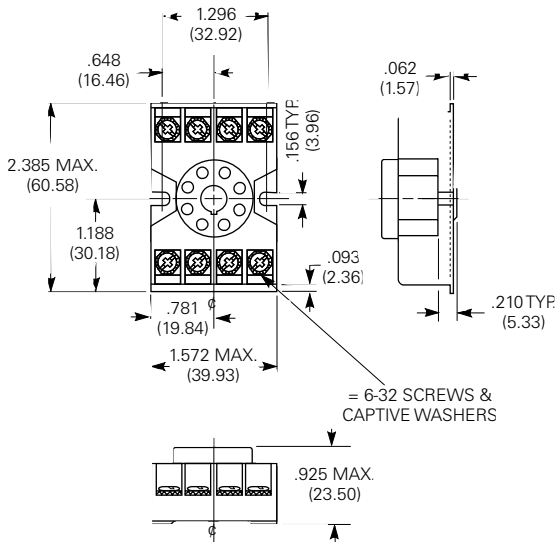
**Terminal Location**  
**Top View**



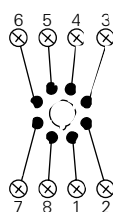
Sockets have M3.5 screw terminals which accept up to two #12 AWG wires. Rated 10 amps @ 300VAC and meets UL 94V-0.

**Screw Terminal Sockets**

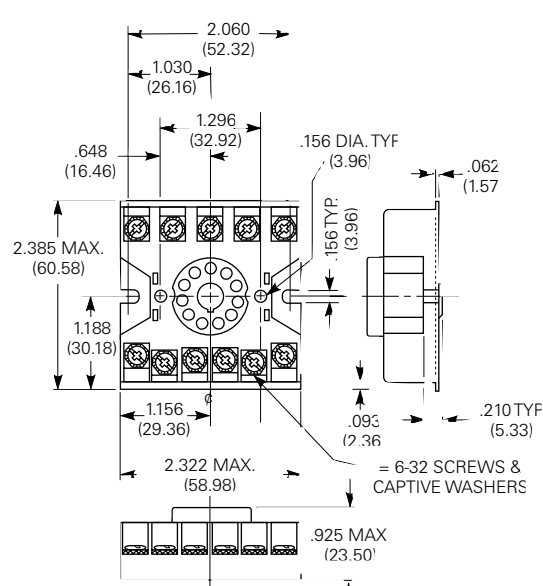
**27E122**  
**10A, 300VAC**  
**8-pin**



**Terminal Location**



**27E123**  
**10A, 300VAC**  
**11-pin**



**Terminal Location**

